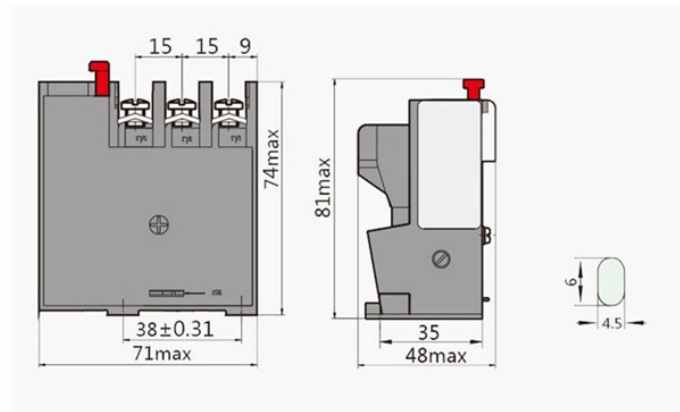


# Vertical Shaft Cable Tray Elbow Fabrication



## Vertical Shaft Cable Tray Elbow Fabrication



Step-by-Step Vertical Tray Elbow Making  
#CableTrayFabrication #ElectricianLife  
#Workshop



Vertical fittings allow for a change in direction to a different plane. Covers are used when additional security is required. Splices join any combination of straight sections and fittings. Supports provide ...



This manual is designed to guide workers through the detailed production process of ladder cable trays, including the manufacture of horizontal elbows, tees, crosses, reducing bends, ...



Fabricated in numerous styles (wiremesh, ladder, ventilated trough, channel, and solid-bottom) and sizes, cable tray provides the greatest versatility among cable support systems, while offering ...



Cable tray length is selected based on the load to be supported, the distance between the supports (also referred to as the span), and handling and installation constraints.



This publication is intended as a practical guide for the proper and safe\* installation of cable ladder systems, cable tray systems, channel support systems and associated supports.



The invention discloses a vertical elbow for a cable tray. The vertical elbow comprises two groups of trapezoidal racks, supporting frames and connecting holes.



Our wind certification report provides you with list of acceptable B-Line series cable tray supports, fittings and covers based off of the environmental conditions, cable loading, and type of cable tray in your ...



Vertical adjustable splice plates should be designed and placed to maximize the rigidity of the cable tray, unless vertical adjustable splice plates are part of a system specifically designed for other placement, ...



Elbow joint RVS is pushed inside the cable tray and attached with the included screw set. Elbow joint RVS can be used to change a cable tray's horizontal orientation ...



Subscribed 450 19K views 4 years ago 90° degree vertical inside elbow cable tray 50mm depth (45°-45°)...more



The purpose of this article is to define the sequence and methodology for the installation of electrical cable trays, cable trunking, cable raceways and boxes, ...

## Contact Us

For more information, pricing, or custom data center solutions, please contact us:

Website: <https://www.yoahorroenergia.es>

Email: [hello@yoahorroenergia.es](mailto:hello@yoahorroenergia.es)

Phone: +233 54 318 7269

Address: Plot 28, Spintex Road, Accra, Greater Accra, Ghana

This document is for informational purposes only. Specifications subject to change without notice.

