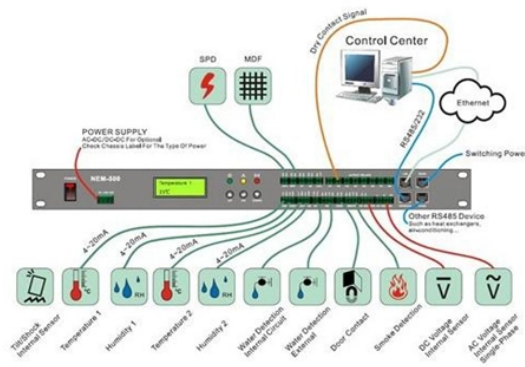


## Transparent Illuminating Optical Cable



## Transparent Illuminating Optical Cable



The LongXing transparent fiber system provides installers with a fast and easy technique for deploying fiber seamlessly around baseboard, windows and trim work - holding firmly in place and nearly ...



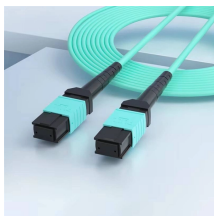
Shop for high-quality transparent fiber optic cables. Wholesale prices and durable, invisible installation. Perfect for FTTR and FTTH networks. Bulk orders welcome.



Hardwired TOSLink is the perfect optical solution for Basic and Upgraded Basic music and film systems. It works well with other SATISFYING and ENGAGING Transparent System Companions to provide ...



This tiny optical fiber cable is transparent, soft and not easy to break, doesn't occupy space, suitable for lighting in narrow places, such as car interior decoration and contour lighting.



Bynet Invisible Optical Cable is a cutting-edge indoor fiber optic solution designed for installations where aesthetic concealment is critical. Its near-transparent outer jacket allows the cable to blend ...



The LongXing transparent fiber system provides installers with a fast and easy ...



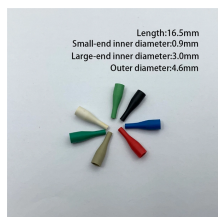
Signage lighting for applications such as advertising lightboxes, swimming pools, mines, tunnels, highways, etc. 3. Museum displays and StarField ceilings. 4. More applications upon your ...



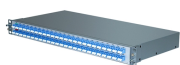
Elfcam® - Invisible/Transparent Fiber Optic Cable, Fiber O: Loss  $\leq 0,30$  dB. 10-year warranty, fast delivery. 24/7 support in France.



The revolutionary Thermal Adhesive Coated (TAC) Fiber System offers a cutting-edge solution for seamless, fast, and flexible fiber cable installation for FTTX applications including Fiber to the Home ...



Our cable uses a transparent 2.0 mm LSZH jacket, achieving over 90% light transmittance. This coating has a refractive index matching 1.4, blending seamlessly into your wall.



1Pcs PMMA Side-Light Optical Fiber Cable 3mm (0.12in) \*3.5M (11.48ft) for LED Light Guide in Home, Hotel. Need help?

## Contact Us

For more information, pricing, or custom data center solutions, please contact us:

Website: <https://www.yoahorroenergia.es>

Email: [hello@yoahorroenergia.es](mailto:hello@yoahorroenergia.es)

Phone: +233 54 318 7269

Address: Plot 28, Spintex Road, Accra, Greater Accra, Ghana

This document is for informational purposes only. Specifications subject to change without notice.

