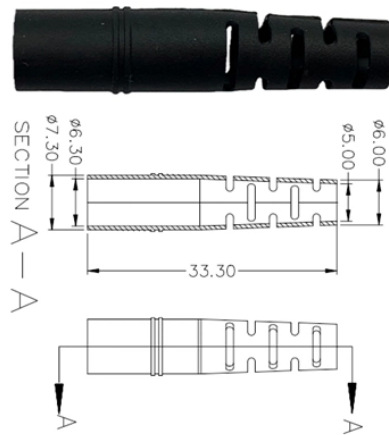


Recommended African Distribution Box Brands



Overview

List of best Box Manufacturers in Africa of 2026. Established in 1959, East African Packaging Industries Ltd (EAPI) is Eastern Africa's market leader in designing and manufacturing innovative, high-quality, and sustainable packaging solutions. Need a unique design for a special project?

No problem! You think it, we ink it – it's as simple as that. So whether you're in need of packaging for your fabulous new product or. Looking for packaging boxes wholesale to meet your business or bulk order needs?

At Design Packaging & Tapes, we specialise in supplying high-quality cardboard boxes in bulk quantities for a wide range of industries. Whether you run a retail store, a logistics company, or a growing e-commerce. Connecting global brands with Africa's vibrant markets through eco-conscious and ethical sales channels. Address: 65 Eleventh Rd, Kew, Gauteng, 2090, South Africa, Sandton. Relationships are opaque, due diligence is expensive, and there's no neutral way to verify who's legitimate. We're building the trust infrastructure that African trade needs — verified profiles, confirmed deals, and real reviews

from real.

Recommended African Distribution Box Brands



Whether you run a retail store, a logistics company, or a growing e-commerce brand, our wholesale packaging boxes are designed to offer durability, affordability, and ...



The trust network for organisations doing business in African markets. Find partners, post opportunities, and build your verified track record.



Find Box Manufacturers in Africa and get directions and maps for local businesses in Africa. List of best Box Manufacturers in Africa of 2026.



Dive into what “On The Box” can offer your brand, from intricately crafted artwork and captivating logo designs to top-notch printing services, all designed to deliver high-quality, impactful packaging ...



Boxes with lids include clear for lighter use, heavy duty for storage and moving, Linbins for custom storage solutions, industrial boxes and bins when a more robust rotationally moulded item is needed.



Discover In2Africa's curated selection of international brands, eco-conscious and ethical sales in African markets. Explore diverse, quality offerings for African consumers. Expand your brand in Africa with ...

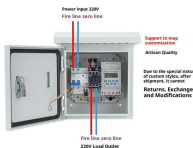


Customers subscribe to AfroBox and receive a new box every month, filled with 4 to 8 exclusive products from a different African country.



Whether you run a retail store, a logistics company, or a growing e-commerce brand, our wholesale packaging boxes are designed to offer durability, affordability, and efficiency. With reliable delivery ...

Product Wiring Diagram



Established in Cape Town, Boxes for Africa, a division of CTP Limited, specialises in the production of a wide range of corrugated packaging solutions and services multiple industries across South Africa.



Dive into what "On The Box" can offer your brand, from intricately crafted artwork and captivating logo designs to top-notch printing services, all designed to deliver high ...



Increase Your Brand Recognition & Presentation With Our Range of Custom Made Packaging Boxes. Print Your Logo or Artwork on the Boxes to Give Your Customers a Good First Impression!

Contact Us

For more information, pricing, or custom data center solutions, please contact us:

Website: <https://www.yoahorroenergia.es>

Email: hello@yoahorroenergia.es

Phone: +233 54 318 7269

Address: Plot 28, Spintex Road, Accra, Greater Accra, Ghana

This document is for informational purposes only. Specifications subject to change without notice.

