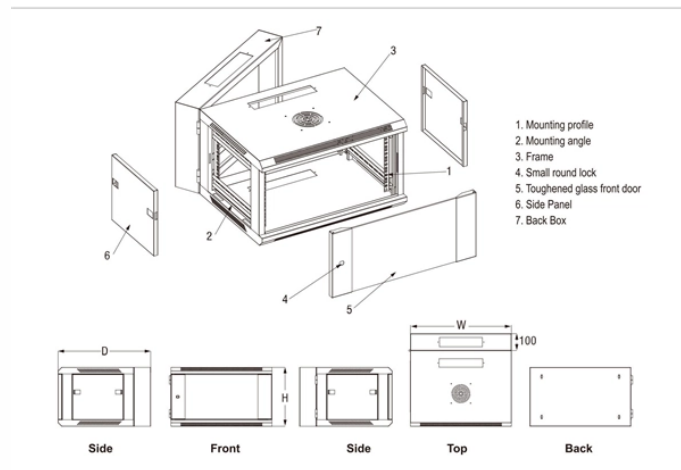


Oddr optical power meter



Oddr optical power meter



SFP Module Testing: OTDR and Power Meter Guide
Small Form-factor Pluggable (SFP) modules are the workhorses of modern optical networks, enabling flexible, scalable, and high-speed ...



It features OTDR, Optical Power Meter, and Visual Fault Locator with measurement capability up to 60 km, offering precise fiber testing with a durable, shock-proof design.



In practice you'll use two complementary tools — an optical power meter (with a stable light source or the transceiver's own transmitter) to measure absolute power and end-to-end loss, and an OTDR to ...



Jonard Tools' Multi-function OTDR is the perfect all-in-one handheld device for ...



Product lines include: optical time domain reflectometers (OTDR), optical power meters, light sources, talk sets, optical length testers, visual fault locators and serial plastic fiber transceivers. All OWL ...



An OTDR (Optical Time Domain Reflectometer) is a measuring instrument intended to measure the transmission loss and distance of optical fibers, locate cable cuts, and evaluate the connection loss ...



Choosing an OTDR vs a light source power meter for fiber testing can be complicated. Read this blog post and learn all about OLTS, LSPM, and OTDR testing.



Signal fire Fiber Optic Tools OTDR Fiber Tester, 1550nm Mini OTDR Mult-Function Tester, Optical Light Source W/Built in OPM/OLS/VFL, Test Rang 0.1-80Km Dynamic Range -50dB~26dBm



Jonard Tools'' Multi-function OTDR is the perfect all-in-one handheld device for evaluating FTTx and access network construction and maintenance, identifying fiber breakpoints, measuring cable length, ...



The OTDR power meter performs detailed measurements of optical power levels, insertion loss, and return loss while simultaneously providing detailed mapping of fiber optic links. It can detect and ...



Why Isn't The OTDR Being Used to Its Full Potential? Understanding Uncertainty Contributors
 Practice Parameters For Comparable $\pm 0.2-0.25$ DB Link Loss Measurement Conclusion
 So why isn't the more comprehensive OTDR being used at its full potential for verification and validation tests of the fiber optic infrastructure? Currently, standard bodies, including TIA and its ANSI/TIA-568.3-D standard, mandate the OLTS as the testing solution for Tier 1 fiber characterization tests and the OTDR for Tier-2 troubleshooting tests... See more on exfo

```

.slide:last-child {
margin-inline-end: 0; }
.slide>*:last-child {
margin-bottom: unset
!important; }
.b_acf_crs1
.b_slidebar .slide {
box-shadow: unset;
-webkit-box-shadow: unset; }
.b_acf_crs1.hovexp
#slideexp1_5FEF3Ec.b_slideexp
.b_overlay
.b_slidesContainer {
overflow: visible !important; }
.b_acf_crs1.hovexp
#slideexp1_5FEF3Ec.b_slideexp
.b_overlay
.b_viewport,
.b_acf_crs1.hovexp
#slideexp1_5FEF3Ec.b_slideexp
.b_viewport {
padding-top: 12px !important;
margin-top: -12px !important;
padding-bottom: 12px !important;
margin-bottom: -12px !important; }
.b_acf_crs1.hovexp
#slideexp1_5FEF3Ec.b_slideexp
.b_overlay
.b_viewport {
padding-bottom: 24px !important;
margin-bottom: -24px !important; }
}Sponsored

```

Contact Us

For more information, pricing, or custom data center solutions, please contact us:

Website: <https://www.yoahorroenergia.es>

Email: hello@yoahorroenergia.es

Phone: +233 54 318 7269

Address: Plot 28, Spintex Road, Accra, Greater Accra, Ghana

This document is for informational purposes only. Specifications subject to change without notice.

