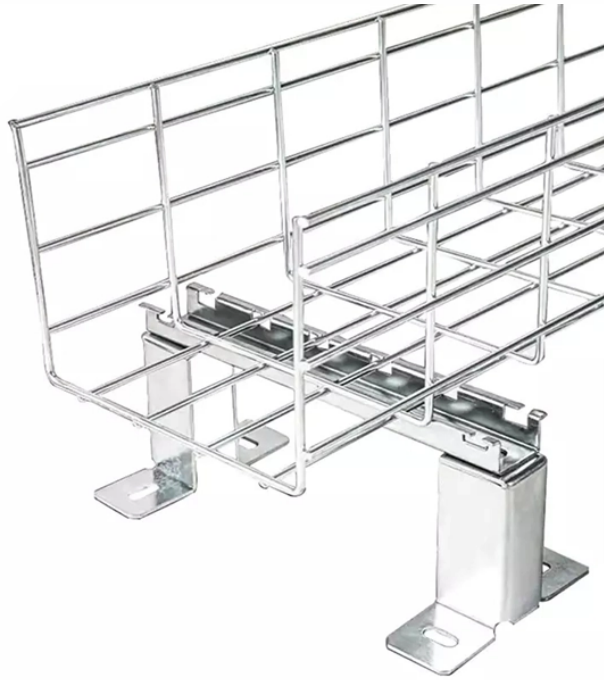


Industrial Switch 485



Industrial Switch 485



Compact and efficient, the TC3847-1DR is fully managed Industrial Ethernet switch solution with full JumboSwitch® network compatibility and integrated Serial Server supporting transport of four ...



Issue This document attempts to explain correct methods of wiring RS485 communication networks in industrial environments based on various application notes and technical ...



Find RS485 Ethernet Switches related suppliers, manufacturers, products and specifications on GlobalSpec - a trusted source of RS485 Ethernet Switches information.



IC485SN is a 2-way converter for converting RS-232 signals to and from RS-422/RS-485 signals in long-distance applications up to 1200 m (4000 ft.) - without the need of an external power supply. Point to ...



The DVS-485-2 is a compact, rugged, industrial-grade RS-485 device server that supports one channel bi-directional RS-485 to Ethernet conversion which can be used to transmit serial data over Ethernet ...



IES618-2F-4DI (RS-485) is a industrial, manageable, redundant Ethernet switch with 6 10/100BaseT (X) ports, 2 100M Fiber ports and 4 RS-485/422 ports. It supports 2 redundant 12~48VDC power inputs ...



Find your rs-485 network switch easily amongst the 9 products from the leading brands (Maisvch, CXR, 3onedata, ...) on DirectIndustry, the industry specialist for your professional purchases.



IES308-2F-2GS-404 is a 8-Port Serial Port Combo Managed Industrial Ethernet Switch which support 4-port 10/100M Base-T (X) +2-port Gigabit SFP + 1-port RS232+ 3-port RS485, is specially designed to ...



Model HGW-802SM-SER-PSE is hardened for extreme operating temperatures: -40 to +75 Celsius and has 240W available for PoE PSE power. It also includes two serial IP server ports that support serial ...



The SCADAlink 485HUB is a RS485 Hub designed for connecting RS485 field devices in rugged industrial applications. The DIN Rail mounted 485Hub features RS232/RS485 inputs and 3 isolated 2 ...

Contact Us

For more information, pricing, or custom data center solutions, please contact us:

Website: <https://www.yoahorroenergia.es>

Email: hello@yoahorroenergia.es

Phone: +233 54 318 7269

Address: Plot 28, Spintex Road, Accra, Greater Accra, Ghana

This document is for informational purposes only. Specifications subject to change without notice.

