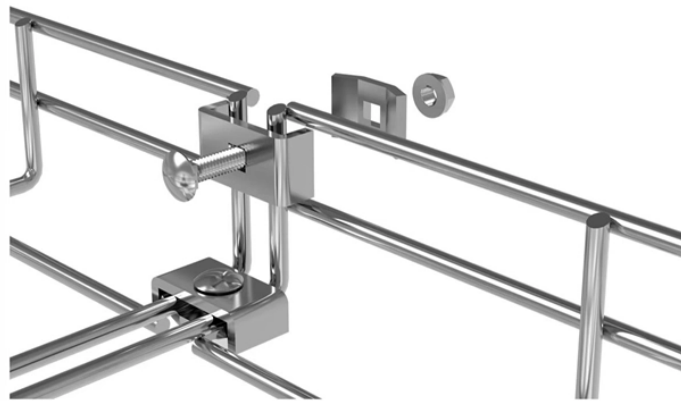


How are cables laid in cable trays in Myanmar



Overview

The cables are laid in trays and ducts in such a way as to provide a margin in length necessary to compensate for changes in the length of the conductor due to temperature fluctuations. The power demanded in electricity systems also determines the cable cross-section and properties as well as the current to be transferred. In case of high power use, to meet the demand of current. And in order for the current to be carried at the demanded high powers to be met, the method of parallel. Power cables are often installed on exposed metallic trays in industrial and commercial electrical systems, a widely accepted practice in these environments. Properly managing cables in these trays ensures the smooth functioning of electrical systems, minimizes downtime, improves maintenance efficiency, and guarantees. Through NEMA and the Cable Tray Institute numerous articles, standards, and other general guidance can be found regarding the proper use and installation of cable tray systems.

How are cables laid in cable trays in Myanmar



In all instances cables utilized within a cable tray system should be UL listed and marked as cable tray rated. The types of cables, allowed in cable trays, and the wiring methods permitted in cable trays ...



In order to meet the demanded power, the cable's electrical and mechanical properties as well as the assembly of the cables and their arrangement methods are also crucial points.



This work shows a methodology known as the S Transform for time-frequency analysis of different distortions in electric power systems, which mostly are non-stationary and short-duration events, due...



Explore the factors affecting cable ampacity in trays, including thermal and electromagnetic effects. Learn calculation methods and best practices for safe installations.



In order to install the cable tray supports, first find the required elevation from the floor to the bottom of the cable tray and establish a level line with a laser or a nylon string.



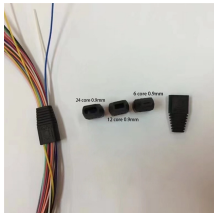
Handled the optical cable with standard procedure and necessary care as the cable should not be damage during cutting, inserting in conduit and laying the same in the cable tray.



Learn how to manage cables in cable trays effectively with our comprehensive guide for cable classification, protection, and installation to ensure electrical system safety and efficiency.



In order to meet the demanded power, the cable's electrical and mechanical properties as well as the assembly of the cables and their arrangement methods ...



Explore the essentials of cable tray layout and section design in electrical systems, ensuring optimal cable management and support.



Our team of experts incorporates the latest advancements in cable tray design to provide optimal cable support, heat dissipation, and ease of installation. All our electrical cable trays comply with the ...



The trays are mounted on supporting structures along walls and ceilings, as a result of which a kind of shelves are formed, where wires or power cables are laid in one or more layers with a ...

Contact Us

For more information, pricing, or custom data center solutions, please contact us:

Website: <https://www.yoahorroenergia.es>

Email: hello@yoahorroenergia.es

Phone: +233 54 318 7269

Address: Plot 28, Spintex Road, Accra, Greater Accra, Ghana

This document is for informational purposes only. Specifications subject to change without notice.

