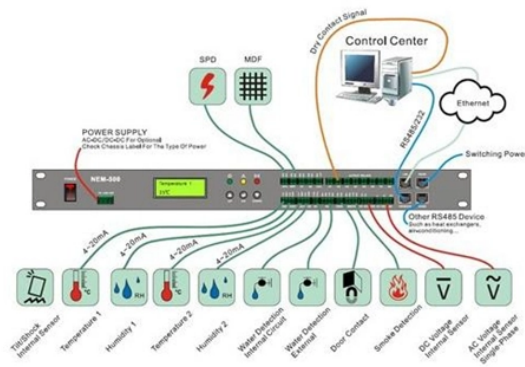


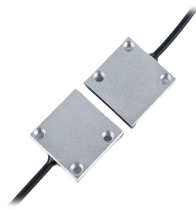
Honduras 250A Distribution Box



Honduras 250A Distribution Box



Mouser offers inventory, pricing, & datasheets for 250 A Terminal Blocks.



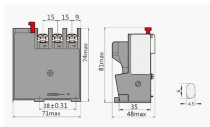
Rated at 250A, this block is designed for general electrical panels and light machinery applications. Compact design, IEC CE and RoHS certified for superior performance.



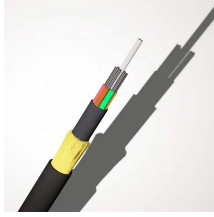
250A MCB Distribution Boards ... Solution Features
250A rated for use with 5SL or 5SY MCB Type
tested & ASTA certified to IEC 61439-3



Combination Card Slot: The terminal distribution box has one inlet and multiple outlets, and is equipped with a combination of card slots, which can be arbitrarily combined and matched to improve work ...



Honduras power strips and PDU power distribution units for surface mount, rack mount and general purpose applications. Multiple outlet power strips are manufactured in accordance to Honduras ...



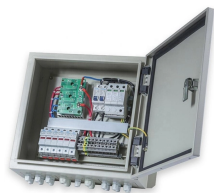
Barra de bus 250A 12V Bloque, de la marca UCkasayfy, de Latón Nailon Acero inoxidable, en color negro & rojo. Desde \$1.131 HNL. Envío rápido a Honduras con Yaxa.



Suitable for use in power distribution systems in industrial and mining enterprises, residential communities, high-rise buildings, and other places for receiving and distributing electrical energy.



Distribution Box Cajas eléctricas se encuentran disponibles en Mouser Electronics. Mouser ofrece inventarios, precios y hojas de datos para Distribution Box Cajas eléctricas.



GE BREAKER FRAME 3P 250A 600V SFHA36AT0250 SKU 0566703238 Categoría Distribución Tags Breaker, Frame L 19,140.42



UKK Series Single Pole Distribution Blocks ... Features Tinned copper or aluminum block allows for copper or aluminum conductor direct connections, or using ferrule Screw retaining cover is hinged ...

Intelligent powerCharacteristicRCBO + AFDD Combination DevicesSerial arcing faultsParallel arcing faults between phase conductor/neutral conductor or phase conductor/phase conductorDistribution BoardsAll the important things at a glance - Information to get you startedContact persons in your region - We are there when you need usContact email for orderingYour product in detailManualsThe fast track to the expertsTraining and tutorialsdistribution ALPHA BSII. Totally Integrated Power Distribution. See more on assets.new.siemens

```

.b_imgcap_alttitle p
strong,.b_imgcap_alttitle .b_factrow strong{color:#767676}#b_results .b_imgcap_altit
le{line-height:22px}.b_imgcap_alttitle{display:flex;flex-direction:row-
reverse;gap:var(--mai-smtc-padding-card-nested-default)}.b_imgcap_alttitle
.b_imgcap_img{flex-shrink:0;display:flex;flex-direction:column}.b_imgcap_alttitle
.b_imgcap_main{min-width:0;flex:1}.b_imgcap_alttitle
.b_imgcap_img>div,.b_imgcap_alttitle .b_imgcap_img a{display:flex}.b_imgcap_alttitle
.b_imgcap_img img{border-radius:var(--mai-smtc-corner-card-default)}.b_hList
img{display:block}.b_imagePair ner img{display:block;border-radius:6px}.b_algo
.vtv2 img{border-radius:0}.b_hList .cico{margin-bottom:10px}.b_title .b_imagePair>
ner,.b_vList>li>.b_imagePair> ner,.b_hList .b_imagePair>
ner,.b_vPanel>div>.b_imagePair> ner,.b_gridList .b_imagePair> ner,.b_caption
.b_imagePair> ner,.b_imagePair> ner>.b_footnote,.b_poleContent .b_imagePair>
ner{padding-bottom:0}.b_imagePair> ner{padding-
bottom:10px;float:left}.b_imagePair.reverse> ner{float:right}.b_imagePair
.b_imagePair:last-child:after{clear:none}.b_algo .b_title .b_imagePair{display:block}.
b_imagePair.b_cTxtWithImg>{*vertical-align:middle;display:inline-
block}.b_imagePair.b_cTxtWithImg> ner{float:none;padding-
right:10px}.b_imagePair.square_s> ner{width:50px}.b_imagePair.square_s{padding-
left:60px}.b_imagePair.square_s> ner{margin:2px 0 0 -60px}.b_imagePair.square_s.r
everse{padding-left:0;padding-right:60px}.b_imagePair.square_s.reverse>
ner{margin:2px -60px 0 0}.b_ci_image_overlay:hover{cursor:pointer}
sightsOverlay,#OverlayIFrame.b_mcOverlay sightsOverlay{position:fixed;top:5%;left:
5%;bottom:5%;right:5%;width:90%;height:90%;border:0;border-radius:15px;margin:0
;padding:0;overflow:hidden;z-index:9;display:none}#OverlayMask,#OverlayMask.b_
mcOverlay{z-index:8;background-color:#000;opacity:.6;position:fixed;top:0;left:0;wid
th:100%;height:100%}.b_factrow>li.b_sritem,.b_factrow .ssp_expert{font-
weight:bold}.b_factrow.b_twofr .b_sritem>.b_sritemp{display:inline;font-
weight:normal}.b_factrow.b_twofr .b_sritem{font-weight:bold}.b_factrow.b_twofr
.csrc{margin-left:5px}.b_factrow.b_twofr{padding-top:4px}.b_factrow.b_twofr ul:first-
child{max-width:calc(50% - 20px)}.b_factrow.b_twofr ul:first-child+ul{max-
width:50%}.b_factrow.b_twofr ul li div{white-space:nowrap;text-
overflow:ellipsis;overflow:hidden}.b_imagePair.wide_wideAlgo .b_factrow.b_twofr
.b_vlist2col{display:flow-root}smicopower

```

Contact Us

For more information, pricing, or custom data center solutions, please contact us:

Website: <https://www.yoahorroenergia.es>

Email: hello@yoahorroenergia.es

Phone: +233 54 318 7269

Address: Plot 28, Spintex Road, Accra, Greater Accra, Ghana

This document is for informational purposes only. Specifications subject to change without notice.

