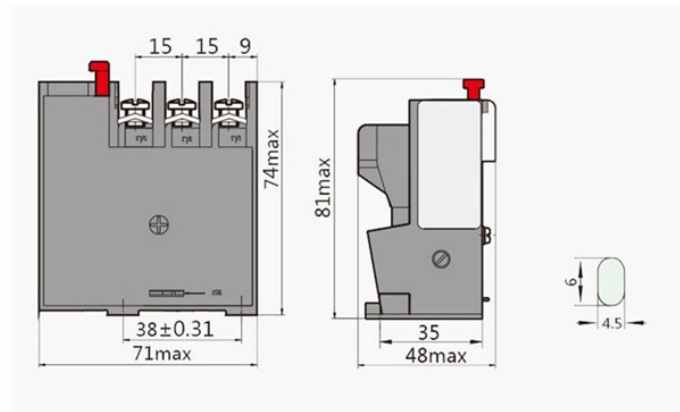


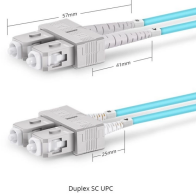
Ethiopia Fireproof Stainless Steel Cable Tray



Ethiopia Fireproof Stainless Steel Cable Tray



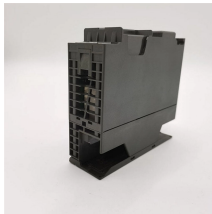
Key Suppliers of Stainless Steel Cable Trays for Ethiopia Below is a comparison of notable suppliers offering stainless steel cable trays relevant to the Ethiopian market, based on ...



Whether you require cable management solutions for industrial facilities, commercial buildings, or outdoor applications, our stainless steel cable trays are versatile enough to meet your diverse needs.



We are now producing steel and metal-made products such as electrical appliances, construction and building materials, bio-medical equipment, and agricultural farm tools.



No matter what kind of cable is being held in a cable tray, Protectowire FireSystems offers the necessary and cost-effective solution to minimize costly damage caused by a fire condition in cable trays.



Customizable fire-resistant stainless steel cable tray with double insulation, excellent heat dissipation, and corrosion resistance. Ideal for industrial and commercial use.

Contact Us

For more information, pricing, or custom data center solutions, please contact us:

Website: <https://www.yoahorroenergia.es>

Email: hello@yoahorroenergia.es

Phone: +233 54 318 7269

Address: Plot 28, Spintex Road, Accra, Greater Accra, Ghana

This document is for informational purposes only. Specifications subject to change without notice.

