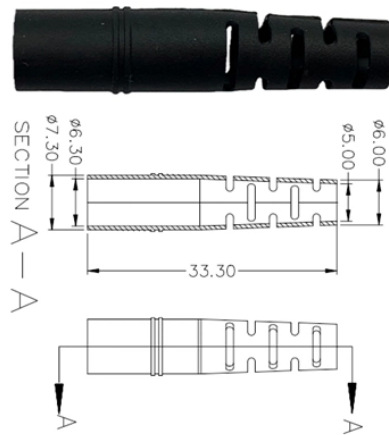


Composition of High and Low Voltage Complete Equipment Cabinet



Overview

The interior of the cabinet is divided into busbar compartment, circuit breaker compartment, cable compartment and low-voltage secondary instrument compartment, equipped with a comprehensive "five-prevention" interlocking system to ensure operational safety. High and low voltage distribution cabinets are essential components of electrical systems in industries, buildings, and utilities. They play a crucial role in ensuring safety, efficiency, and longevity. To achieve structural adjustment and transformation in the power industry, the foremost priority is enhancing the performance of. The switchgear mainly consists of two parts: the cabinet body and the removable circuit breaker handcart. Ultimately, cost, resiliency, and maintainability will drive the equipment selection. Power. High/Low voltage switchgear refers to the electrical products used for power system generation, transmission, distribution, power conversion and consumption to play the role of on-off, control or protection, voltage level in 3. 6kV~550kV, mainly including high/low voltage isolation switch and ground.

Composition of High and Low Voltage Complete Equipment Cabinet



Discover essential components and selection tips for high and low voltage distribution cabinets. This comprehensive guide covers circuit breakers, transformers, contactors, relays, ...



In the application of structural design theory in complete electrical equipment, the protection system of high and low voltage complete cabinets embodies a typical technical integration ...



Electrical cabinets are cabinets made of steel material to protect the normal operation of components. The materials used for making electrical cabinets are generally divided into two types: ...



Detailed Explanation of the Composition and Function of Various Cabinets of the Power Supply System



To ensure that the cabinet unit functions satisfactorily in the system, the environment subject to interference must not be neglected. For this reason, special requirements exist regarding the ...



Each has its own unique standards and application guidelines, and one facet of good power system design is the knowledge of when to apply each type of equipment and the limitations of each type of ...



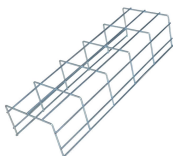
High/Low voltage switchgear is usually composed of switchgear, meters, control appliances, insulating parts, connecting parts, mechanisms, ...



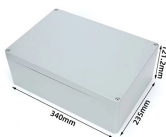
The interior of the cabinet is divided into busbar compartment, circuit breaker compartment, cable compartment and low-voltage secondary instrument compartment, equipped with a comprehensive ...



These products are highly integrated, compact in size, structurally compact, safe and reliable in operation, easy to maintain, and portable. In distribution systems, they can be used in ring network ...



Check the quantity of equipment against the design drawings, equipment list and technical documents. Check the specifications and models of the equipment and its attachments and spare parts against ...



High/Low voltage switchgear is usually composed of switchgear, meters, control appliances, insulating parts, connecting parts, mechanisms, enclosures and bases.

Contact Us

For more information, pricing, or custom data center solutions, please contact us:

Website: <https://www.yoahorroenergia.es>

Email: hello@yoahorroenergia.es

Phone: +233 54 318 7269

Address: Plot 28, Spintex Road, Accra, Greater Accra, Ghana

This document is for informational purposes only. Specifications subject to change without notice.

