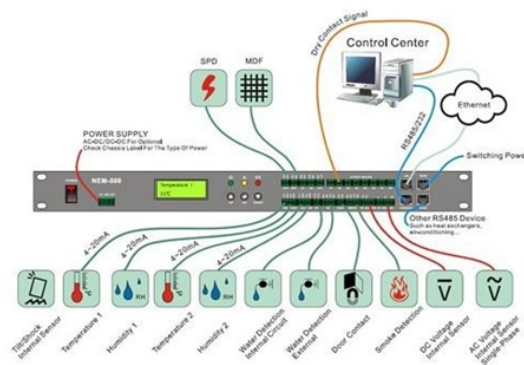


Can a fiber optic panel be used with a network cable



Overview

The short answer is no - RJ45 connectors are designed for electrical Ethernet signals, while fiber optics transmit light pulses through glass or plastic. However, modern networks often combine both technologies. It offers remarkable characteristics such as high bandwidth capacity, immunity to electromagnetic interference, low latency. This article will give you an overview of the use cases for fiber-optic networking, some of the terms used in fiber networking, and suggestions for setting up a fiber network. Once you understand the basic concepts, you can check out my Recommended Equipment section toward the bottom of the. A fiber patch panel is a mounted enclosure—either rack-mounted or wall-mounted—used to terminate, manage, and interconnect multiple fiber optic cables. It acts as a hub for organizing splices and patch cords, streamlining fiber management and preserving signal integrity.

Can a fiber optic panel be used with a network cable



A technical guide on choosing the best Fiber Patch Panel to install & terminate fiber optic cable for any indoor/outdoor industrial communication project.



A well-designed fiber patch panel improves overall network reliability by creating a stable and organized environment for fiber optic connections. By reducing cable stress and minimizing ...



Many people ask the same question: Can you use a fiber optic cable with an RJ45 port? The short answer is no - RJ45 connectors are designed for electrical Ethernet signals, while fiber ...



Fiber patch panels, also called fiber enclosure, are used as a cost-effective fiber optic cable management and maintenance method in today's data centers. With a fiber patch panel, installers ...



Fiber patch panels with different connector types work with corresponding fiber optic cables. In data center cabling, the most widely used are LC patch panels and MTP patch panels.



The fiber optic patch panel is also called the fiber distribution panel. The function of the patch panel is to connect the fiber optic cable, and it can also connect to the individual spliced fiber.



In most cases, fiber optic media converters convert between copper and fiber optic cables. This allows you to connect devices that use different types of cabling, such as a computer ...



In today's digital landscape, high-speed data transmission and reliable network connectivity are paramount for organizations. One powerful ...



In today's digital landscape, high-speed data transmission and reliable network connectivity are paramount for organizations. One powerful solution to achieve these goals is by ...



Learn how to integrate fiber optic cables into your existing network to improve speed, reduce latency, and increase your system's overall efficiency.



This article will give you an overview of the use cases for fiber-optic networking, some of the terms used in fiber networking, and suggestions for setting up a fiber network.

Contact Us

For more information, pricing, or custom data center solutions, please contact us:

Website: <https://www.yoahorroenergia.es>

Email: hello@yoahorroenergia.es

Phone: +233 54 318 7269

Address: Plot 28, Spintex Road, Accra, Greater Accra, Ghana

This document is for informational purposes only. Specifications subject to change without notice.

